

AGFEO Headset 9120

System requirements for using the Headset with a ST 30

Please assure your ST 30 is running on firmware 3.1 or higher. For further information on using your headset see the manual of your HS-Modul 30.

The Headset Module Jumper

To run the AGFEO Headset 9120 on your ST 30, set the Jumperblocks on your HS-Modul 30 as shown on the picture below!

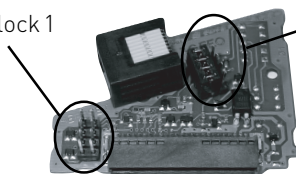
Jumperblock 1



Jumperblock 2



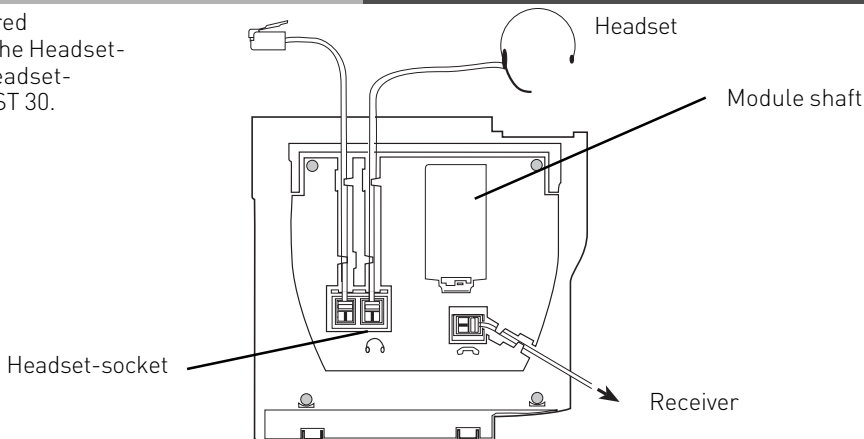
Jumperblock 1



Jumperblock 2

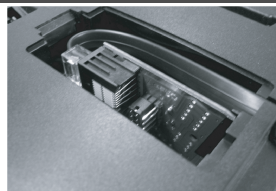
Installing AGFEO Headset 9120 to your ST 30

Plug the delivered Audiocable of the Headset-Modul in the Headset-socket of your ST 30.



Installing AGFEO Headset 9120 to the Headset Module

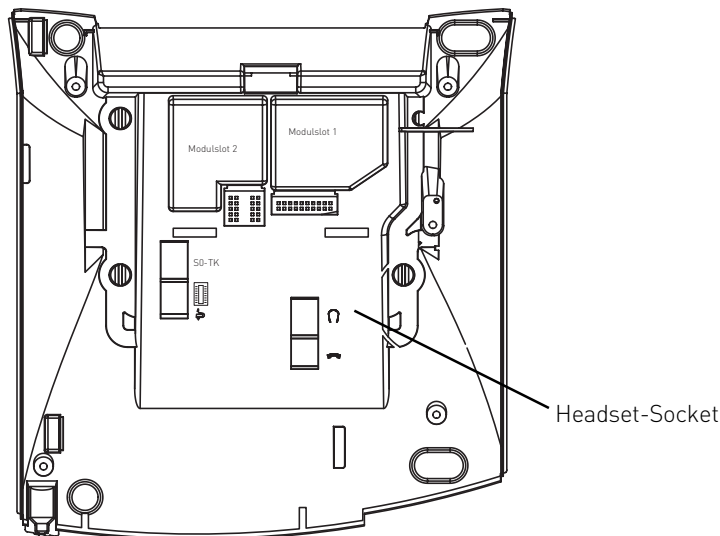
- Plug in the cable, lay it around the module and feed it through the opening in the ST 30 housing.
- Place the module upright in the upper and lower guide slots with the module's shortest edge pointing towards the earpiece connection.
- Carefully press the module down until you feel the plug connectors grip.
- Keep pressing until it can go no further.
- Close the module slot.



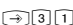
AGFEO Headset 9120

Install AGFEO Headset 9120 on your ST 40

Plug the delivered Audiocable of the Headset with the blue marked end in the Headset-socket of your ST 40. Install the other two connections of the cable as described in the delivered manual.



Operation of AGFEO Headset 9120

Allocate a headset button on the ST 30, ST 40 or a dedicated STE 30 or STE 40 with the help of the TK-Suite Configurator or via the menu with the help of . The headset is now ready for operation.

- You can now pick up or hang up on the headset using the headset button. If the set rings, you will hear it ringing in the headset earpiece. You can choose between accepting incoming calls on the system telephone or the headset itself.
- To end the call, you can choose between hanging up with the headset button on the system telephone or on the headset itself.
- You can switch off the ring tone on the system telephone with the "Ring" button and still hear the call in the headset's earpiece. This is ideal for call centers or offices with multiple telephones.
- If the distant party hangs up first, the PABX also ends the call and hangs up on the headset. You do not need to hang up on the headset or the system telephone.

Identnr. 1100949
Subject to change
without notice.
Printed in Germany
0064

GN Netcom Hotline: +49 8031 26 51 14
+49 8031 26 51 22

AGFEO GmbH & Co. KG
Gaswerkstr. 8
D-33647 Bielefeld
Internet: <http://www.agfeo.com>